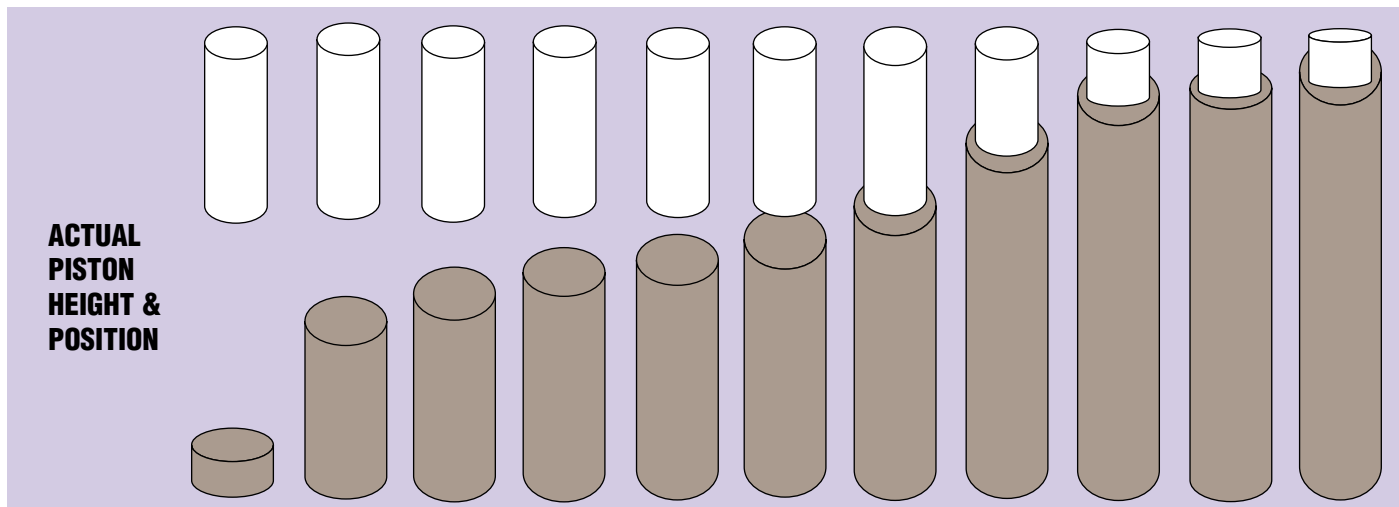


SPECIFICATIONS



ACTUAL PISTON HEIGHT & POSITION

% full stroke	100%	36%	10%	7.1%	3.6%	2.1%	1.8%	1%	0.54%	0.10%	0.04%
Volume in µL	2,800	1,000	280	200	100	60	50	28	15	2.8	1
Piston mode	Single	Single	Single	Single	Single	Single	Dual	Dual	Dual	Dual	Dual
SD in µL	0.20	0.20	0.20	0.20	0.20	0.20	0.010	0.010	0.010	0.010	0.010
CV %	0.01%	0.02%	0.07%	0.10%	0.20%	0.33%	0.02%	0.04%	0.07%	0.36%	1%
Resolution µL/step	1.5486	1.5486	1.5486	1.5486	1.5486	1.5486	0.0369	0.0369	0.0369	0.0369	0.0369
Travel in steps	1808	646	181	129	65	39	1355	759	407	76	27
inches	0.8679	0.3100	0.0868	0.0620	0.0310	0.0186	0.6504	0.3642	0.1951	0.0364	0.0130
mm	22.04	7.87	2.20	1.57	0.79	0.47	16.52	9.25	4.96	0.93	0.33
max. flow µL/sec	2700	2700	2700	2700	2700	2700	65	65	65	65	65

Resolution Multiplier: (CV Controller) in Dual Mode is 42. Resolution becomes 42 times smaller when entering Dual mode.

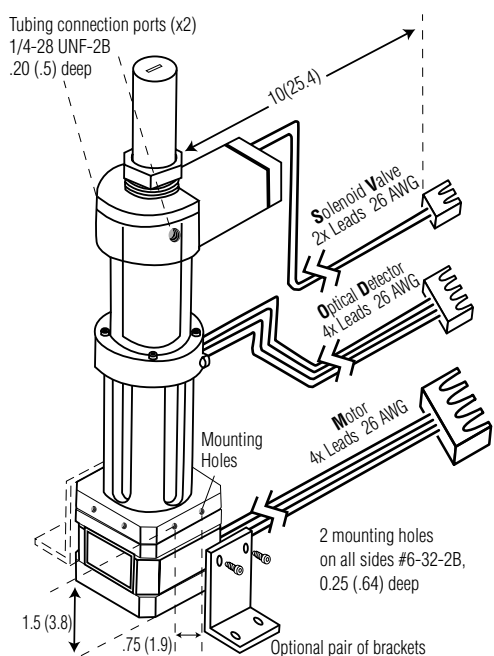
1% CV limits: 1% CV is obtained down to 1 µL in the Dual and 20 µL in the Single piston mode.

Accuracy: 99.5% at all volumes (compensated for backlash and evaporation at low volumes)

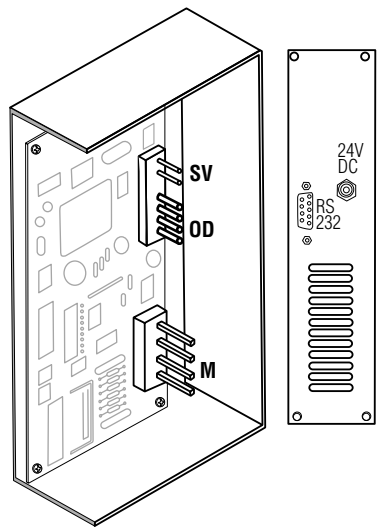
Volume range: Dual piston range up to 50 µL. Single piston range up to 2.8 mL.

Maximum speed: 1,750 steps/second.

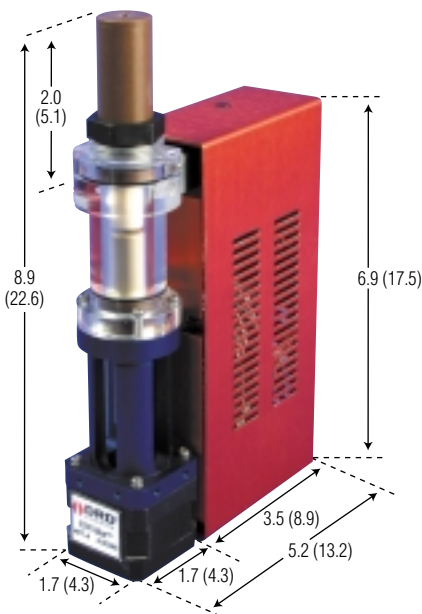
Seal replacement: Typically 1 million cycles.



BARE BONES PUMP
(with optional valve) with 10" wire leash



CONTROL POD
RS-232 Serial, Baud rate 57,6000 12-38
Volts @ 2.0 Amps, 50-60 Hz, 110-240
VAC with DC power supply.



COMPLETE PUMP
with electronic Control Pod attached